



LEDVANCE

LEDVANCE.COM



33 %
longer
life

Light is promotional
POWERBALL HCl[®] Excellence:
More powerful light for stronger colors

OSRAM 

POWERBALL HCI® Excellence

Much better output compared to POWERBALL HCI®

Special benefits

- Lower maintenance costs:
Longer average life of up to 20,000 hours
- Greater efficiency: Up to 116 lm/W – up to 15 % greater than that of the standard product family
- Brilliant and natural illumination: Up to 8,500 lm luminous flux with excellent color rendering R_a of at least 90
- Great versatility: Can be operated on all standardized electronic control gear; some lamp types also suitable for operation on magnetic control gear



Brilliant light for effective merchandise displays

Natural illumination in warm white light plays a key role in the presentation of merchandise, particularly in clothing stores. This is where POWERBALL HCI® Excellence shows its strengths – with brilliant light, high output and excellent color rendering. Textures are highlighted, subtle differences in color can be seen and all colors appear more vibrant. The new neutral white version of POWERBALL HCI® Excellence offers these same strengths.

Top performance for many applications

The technological advances of the POWERBALL HCI® Excellence have resulted in improved performance compared to the standard product family. Up to 15 % greater efficiency, longer average life of up to 20,000 hours and optimized color rendering.

Areas of application:

- Retail outlets, shop windows, shopping malls
- Foyers, reception areas
- Museums, exhibitions
- Accent lighting



POWERBALL HCI®

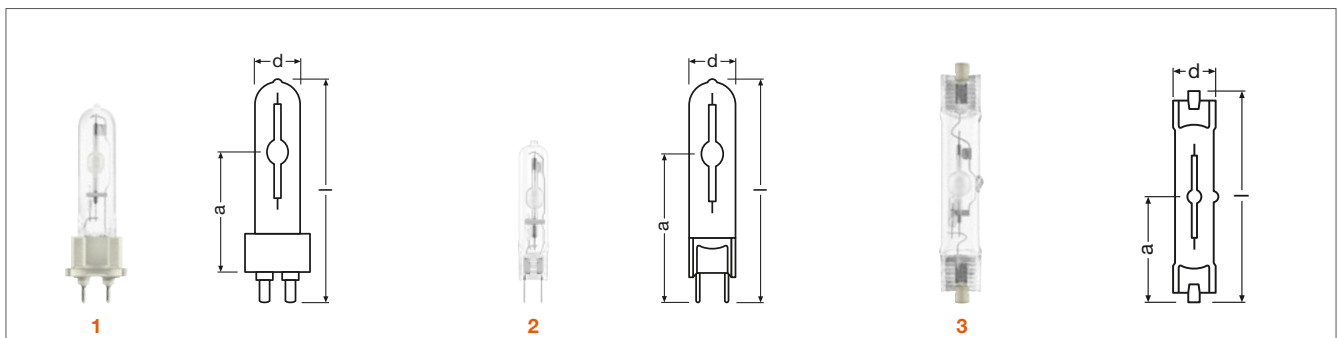
NEW: More efficient 150 W lamps with compact dimensions

The familiar rediscovered

POWERBALL HCI®-T 150 W lamps have been further developed and now offer up to 16 % greater efficiency compared to their predecessors and have an average life of 20,000 hours. The lamps have been redesigned so that it is now possible for the first time to offer a 150 W POWERBALL HCI® with a compact 20 mm bulb.

Areas of application:

- Shop windows, shopping malls
- Foyers, reception areas
- Exhibition halls and trade fairs
- Factories and workshops



Article name	Product number (GTin)	t [h]	lm	lm/W	Ra		l [mm]	d [mm]		K		No.
--------------	-----------------------	-------	----	------	----	--	--------	--------	--	---	--	-----

POWERBALL HCI® Excellence

HCI-T 35W/930 WDL PB Exc	4052899 238640	20,000	4,200	108	90	G12	100	20	A+	3,000	1
HCI-T 35W/942 NDL PB Exc	4052899 265172	16,000	4,000	103	92	G12	100	20	A+	4,200	1
HCI-T 50W/930 WDL PB Exc	4052899 238763	20,000	5,500	110	90	G12	100	20	A+	3,000	1
HCI-T 70W/930 WDL PB Exc	4052899 238725	20,000	8,500	116	90	G12	100	20	A+	3,000	1
HCI-T 70W/942 NDL PB Exc	4052899 265080	20,000	7,800	107	93	G12	100	20	A+	4,200	1
HCI-TC 35W/930 WDL PB Exc	4052899 238664	20,000	4,200	108	90	G8.5	81	15	A+	3,000	2
HCI-TC 35W/942 NDL PB Exc	4052899 265196	16,000	4,000	103	92	G8.5	81	15	A+	4,200	2
HCI-TC 50W/930 WDL PB Exc	4052899 238787	20,000	5,400	108	90	G8.5	81	15	A+	3,000	2
HCI-TC 70W/930 WDL PB Exc	4052899 238749	20,000	8,300	114	90	G8.5	81	15	A+	3,000	2
HCI-TC 70W/942 NDL PB Exc	4052899 265103	20,000	7,700	105	93	G8.5	81	15	A+	4,200	2
HCI-TS 70W/930 WDL PB Exc	4052899 262737	20,000	7,900	108	90	RX7s	120	20	A+	3,000	3
HCI-TS 70W/942 NDL PB Exc	4052899 951174	20,000	7,300	100	93	RX7s	120	20	A+	4,200	3

POWERBALL HCI®

HCI-T 150W/930 WDL PB	4052899 372375	20,000	17,500	119	91	G12	105	20	A+	3,000	1
HCI-T 150W/942 NDL PB	4052899 372399	20,000	16,200	110	94	G12	105	20	A+	4,200	1

The photometric data applies to operation on electronic control gear. 50W and all POWERBALL HCI® 942 Excellence lamps are approved for use only on electronic control gear. Approved for use only in enclosed luminaires; may be used in outdoor applications only in appropriate luminaires.

LEDVANCE GmbH
Parkring 29–33
85748 Garching/Munich
Germany

ledvance.com/hci

Premium partner:



For more information on shop lighting go to
ledvance.com/shop-lighting

Product licensee of trademark
OSRAM in general lighting



LEDVANCE.COM